



DOSAPLUS 5 - 6 - 7

POLYPHOSPHATE PROPORTIONAL METERING UNITS

INSTALLATION, USE AND MAINTENANCE MANUAL

Dear Customer,

Congratulations for choosing this Made in Italy ATLAS FILTRI product. Please carefully read and keep this document that will help you to best enjoy and use all our products. Continue to prefer us and beware of imitations.



TECHNICAL SPECIFICATIONS

The polyphosphate proportional dosing units DOSAPLUS 5-6-7 have been designed and manufactured using innovative technical solutions aimed at:

- ensuring effective and precise dosing;
- protecting from scale and corrosion;
- gradually reducing existing scale and corrosion, restoring the correct heat exchange and guaranteeing energy saving.

With DOSAPLUS 5-6-7 dosing units the POLIPHOS polyphosphate is added to the water proportionally to the variations in flow. It consists of natural mineral salts with the above properties. POLIPHOS has food characteristics and is formulated specifically so that it can be used in treating both hot and cold drinking water.

DOSAPLUS 5-6-7 dosing units can be used in the following hydraulic circuits:

- systems for the production of hot sanitary water;
- boilers (both gas and electric),
- cooling systems with non-reusable water;
- generic cold water systems (in which scale and corrosion are common).

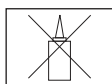
WARNING: optimal operating conditions require a minimum inlet pressure of 1.5 BAR. To check the inlet pressure is not lower, install a pressure gauge upstream of the dosing unit.

WARNING: USE THE DOSING UNIT ONLY IN COMPLIANCE WITH THE INSTRUCTIONS STATED ON THE STICKER ON THE FILTER CUP.

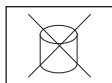
IF HYDRAULIC SYSTEM PRESSURE EXCEEDS 8 BAR, A PRESSURE REDUCER MUST BE INSTALLED.

IF WATER HAMMERING IS A POSSIBILITY, A WATER HAMMER PROTECTOR MUST BE INSTALLED.

FAILURE TO MEET THE OPERATING CONDITIONS NULLS AND VOIDS THE WARRANTY.



SEALANTS



PASTE



CANAPA



TEFLON® TAPE

INSTALLATION

The installation must be carried out by qualified personnel in a dry and covered environment. The dosing unit must also be protected from frost, bad weather, direct and indirect light and heat sources.

Check that the line pressure is suitable to the operation. In order to avoid damages and breakages, there must be no water hammering and strong and/or frequent pressure variations. The dosing unit must be fed with clean water, so an ATLAS FILTRI safety filter must be installed upstream.

The dosing unit must be installed in the cold water pipe. Upstream and downstream a straight pipe, without any valve and about ten times the pipe diameter, must be installed.

- Install shut-off valves and a by-pass device (see figure 1).
- Pay attention to the direction of the arrow on the pipe connection group.
- Leave at least 25 cm around the 4 sides to allow for maintenance and to make loading the product easier.
- The group attaching to the pipes can be rotated by 360° to fit the pipe orientation and the direction of the water flow.
- Fit the connection group rotating it to the desired position (check the direction of the arrow).
- Fix the dosing unit to the attachment group with the appropriate screws, paying attention to the correct positioning of the O-rings.
- Once installed, leave the dosing unit in by-pass position and wash the pipes carefully before starting it.

WARNING: only use TEFLON strips to seal unit connections. Do not use other types of sealing material or the warranty shall be null and void.

INITIAL START-UP

Once installed and before loading POLIPHOS, check the dosing unit hydraulically to make sure there are no leaks.

Open the venting screw and then the inlet valve, keeping the outlet valve closed.

Close the outlet valve as soon as water flows and check there are no leaks when pressurized.

Open the outlet valve and let the water flow for 2 minutes opening a tap.

WARNING

Use the DOSAPLUS 5-6-7 dosing units only to treat tap or well drinking water and anyway with a pH of between 6.5 and 8.5.

LOADING THE DOSING UNIT

To load the dosing unit for the first and any successive time, proceed as follows:

- 1 - Close the shut-off valves and loosen the venting screw.
- 2 - Unscrew the cup using the appropriate key (provided as standard).
- 3 - Wash the cup and bellow with clean water.
- 4 - Insert the polyphosphate refill POLIPHOS B.
- 5 - Screw the cup in paying attention to the correct positioning/ flattening of the bellow.
- 6 - Open the shut-off taps slowly to allow water to come into contact with the product slowly. When the cup is full of water and the water starts to come out of the venting screw, close it.
- 7 - Let water flow for 2 minutes, and then open the venting screw again to vent any trapped air.
- 8 - The dosing unit is ready to operate.

To refill the DOSAPLUS 5-6-7 use only the original DOSAPHOS product, suitable to treat drinking and processing water in compliance with Health Ministerial Decree 443/90.

CHECKS AND MAINTENANCE

Accurate routine maintenance and regular scheduled checks ensure systems operate properly and last in time.

- Check the product level through the clear cup and refill when finished.
- To clean, use only a cloth wetted with water (do not use alcohol or detergents).
- To refill, use only DOSAPHOS original product. The use of different products can damage the dosing unit and systems, apart from making the guarantee null and void.
- If the dosing unit does not use any product or shows an anomalous consumption, check the nozzle (see "Extraordinary Maintenance") or contact your Service Centre.
- Not to make the warranty null and void, use only original refills.

Special conditions of use (water quality, operating pressure, etc.) might require maintenance by qualified personnel (ATLAS FILTRI authorized Service Centres).

EXTRAORDINARY MAINTENANCE

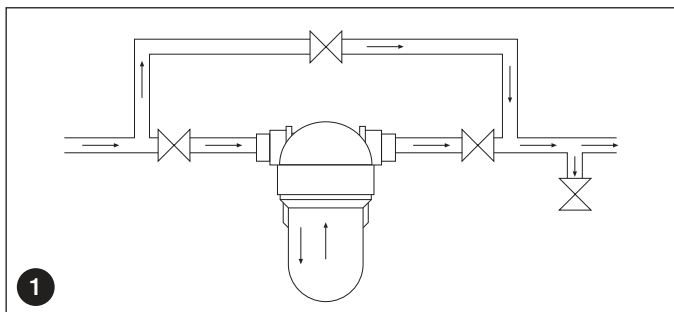
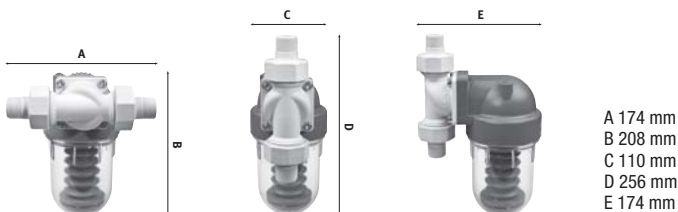
If the polyphosphate does not diminish, the nozzle might be clogged and should be cleaned. Follow the instructions 1 and 2 of "Loading the Dosing Unit", unscrew the nozzle in the head, take it out with some small pliers and clean the hole with a needle having a 0.2mm diameter.

Once the nozzle has been cleaned, screw it in again into the head and follow instructions 5, 6, 7 and 8 of "Loading the Dosing Unit".

If the polyphosphate refill is consumed too quickly (regular consumption is 4-6 weeks for a house with 4 people) change the regular nozzle at diam 1.5 mm with the one at diam 0.3 mm (supplied with the package).

DOSAPLUS 5-6-7 RANGE TECHNICAL SPECIFICATIONS

	DOSAPLUS 5	DOSAPLUS 6	DOSAPLUS 7
IN/OUT "	3/4	1	3/4 + 1
BAR Max	8	8	8
T°C Min	+4	+4	+4
T°C Max	+45	+45	+45



Warranty

- Keep the label on the box for product identification.

- Applied warranty conditions are those in Directive CEE 85/374 for EU countries. For non EU countries, the product is covered by a limited 12-month warranty from date of purchase (proof of purchase required). Claims must be made in writing to the point of sale or to Atlas Filtri srl, Via del Santo 227, I-35010 Limena, Italy. Claims must: Indicate the product, place and date of purchase; provide the product for review; prove connections between defects and damages. All disputes are regulated by Italian law and shall be submitted to the Court of Padua, Italy.